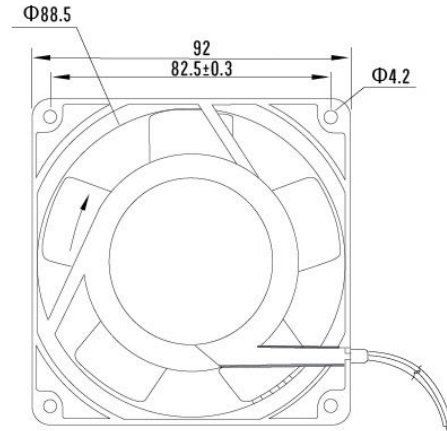
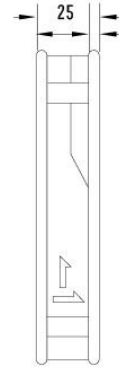


F2E 92S/B Multiplane fan

92x92x25mm



Dimensions



Motor Structure	Shaded pole motor.
Safety	Impedance Protected
Operation System	Dual high Precision ball bearings.(single sleeve bearing)
Allowable Ambient Temperature Range	(under unconcretionary condition) -20~+65°C(ball bearing) , -10~+45°C.(Sleeve bearing)
Insulation	B Class
Protection Grade	IP34

Type	F2E-92S/B-230	F2E-92S/B-115
Bearing	Sleeve/Ball	Sleeve/Ball
Rated operating voltage(V)	220/230	110/115
Rated frequency(Hz)	50/60	50/60
Rated current max.(A)	0.07-0.08	0.12-0.14
Rated Power(w)	13.2-15.4	13.2-15.4
Speed(RPM)	2200-2600	2200-2600
Wind volume(m ³ /h)	60-68	60-68
Noise dB(A)	29-35	29-35
Weight(g)	255g	255g