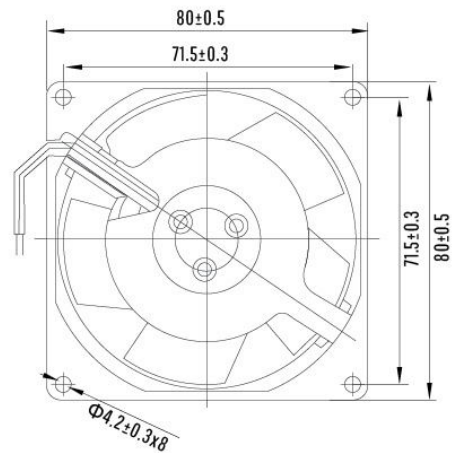
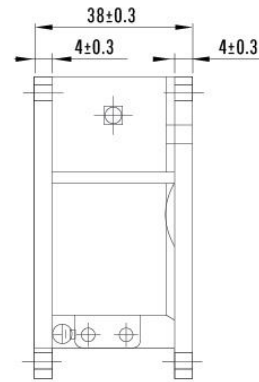


F2E 80S/B Multiplane fan

80x80x38mm



Dimensions



Motor Structure	Shaded pole motor.
Safety	Impedance Protected
Operation System	Dual high Precision ball bearings. (single sleeve bearing)
Allowable Ambient Temperature Range	(under unconcretionary condition) -20~+65°C(ball bearing) , -10~+45°C.(Sleeve bearing)
Insulation	B Class
Protection Grade	IP34

Type	F2E-80S/B-230	F2E-80S/B-115
Bearing	Sleeve/Ball	Sleeve/Ball
Rated operating voltage(V)	220/230	110/115
Rated frequency(Hz)	50/60	50/60
Rated current max.(A)	0.06-0.07	0.13-0.15
Rated Power(w)	15-12	15-12
Speed(RPM)	2600-3000	2600-3000
Wind volume(m³/h)	45-55	45-55
Noise dB(A)	29-35	29-35
Weight(g)	335g	335g