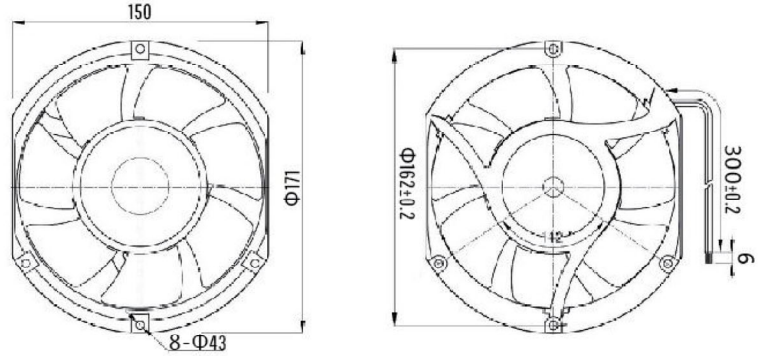


F2E 150S/B Multiplane fan

Φ150×51mm



Dimensions



安装开口尺寸图

Motor Structure	Shaded pole motor.
Safety	Impedance Protected
Operation System	Dual high Precision ball bearings. (single sleeve bearing)
Allowable Ambient Temperature Range	(under unconcretionary condition) -25-+65°C(ball bearing) , -25-+65°C.(Sleeve bearing)
Insulation	B Class
Protection Grade	IP34

Type	F2E-150S/B-230	F2E-150S/B-115
Bearing	Sleeve/Ball	Sleeve/Ball
Rated operating voltage(V)	220-230	110-115
Rated frequency(Hz)	50/60	50/60
Rated current max.(A)	0.19-0.17	0.48-0.46
Rated Power(w)	38-36	41-38
Speed(RPM)	2500-2800	2500-2800
Wind volume(m ³ /h)	402-460	402-460m
Noise dB(A)	50	50
Weight(g)	900g	880g