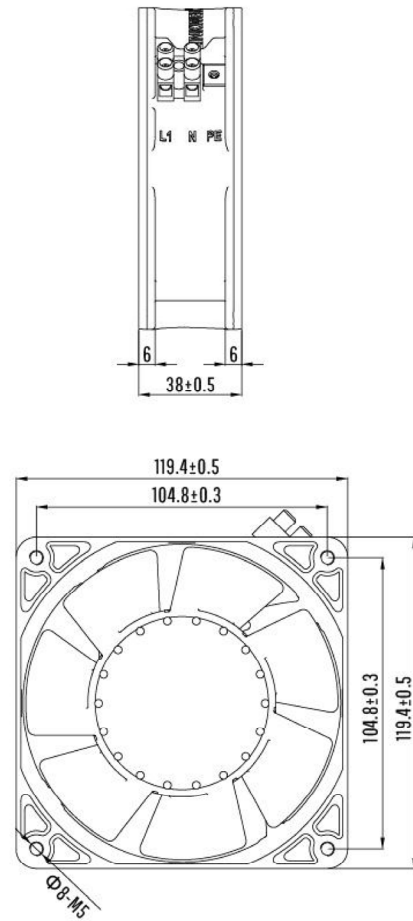


F2E 120S/B Multiplane fan

120x120x38mm



Dimensions



Motor Structure	Shaded pole motor.
Safety	Impedance Protected
Operation System	Dual high Precision ball bearings. (single sleeve bearing)
Allowable Ambient Temperature Range	(under unconcretionary condition) -20 ~ $+65^{\circ}\text{C}$ (ball bearing) , -10 ~ $+45^{\circ}\text{C}$.(Sleeve bearing)
Insulation	B Class
Protection Grade	IP34

Type	F2E-120S/B-230	F2E-120S/B-115
Bearing	Sleeve/Ball	Sleeve/Ball
Rated operating voltage(V)	220-230	110-115
Rated frequency(Hz)	50/60	50/60
Rated current max.(A)	0.12-0.10	0.24-0.20
Rated Power(w)	19-14	18-15
Speed(RPM)	2500-2700	2500-2800
Wind volume(m^3/h)	145-160	145-170
Noise dB(A)	34-37	34-37
Weight(g)	530g	510g